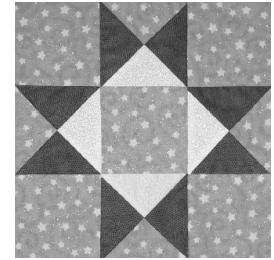


Star Light, Star Bright

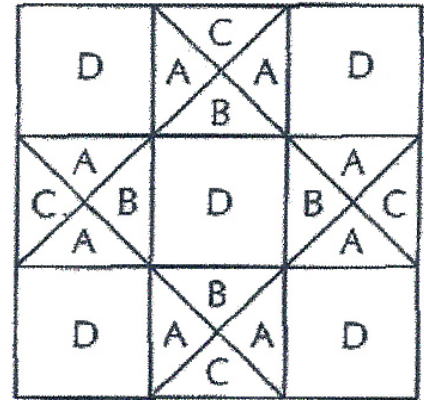
January 2008

Sections C-D-E *white on lighter blue print*
Star points A *contrasting darker blue*
Sections B *white on white or cream*



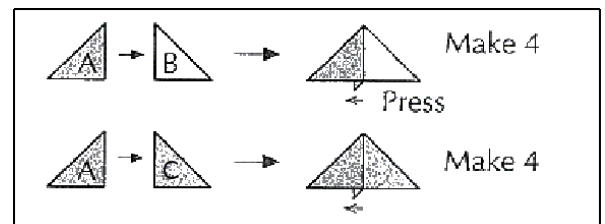
Cutting

- From the fabric for **A**, cut 2 squares, each $5\frac{1}{4}'' \times 5\frac{1}{4}''$.
Cut each square twice diagonally to yield 8 triangles.
- From the fabric for **B**, cut 1 square, $5\frac{1}{4}'' \times 5\frac{1}{4}''$.
Cut the square twice diagonally to yield 4 triangles.
- From the fabric for **C**, cut 1 square, $5\frac{1}{4}'' \times 5\frac{1}{4}''$.
Cut the squares twice diagonally to yield 4 triangles.
- From the fabric for **D**, cut 5 squares, $4\frac{1}{2}'' \times 4\frac{1}{2}''$.



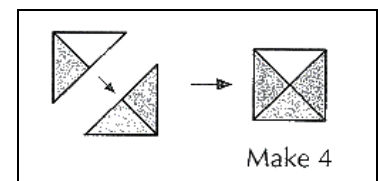
Piecing

1. Stitch a triangle A to a triangle B and another triangle A to a triangle C along the short sides make side-by-side units as shown. Press.

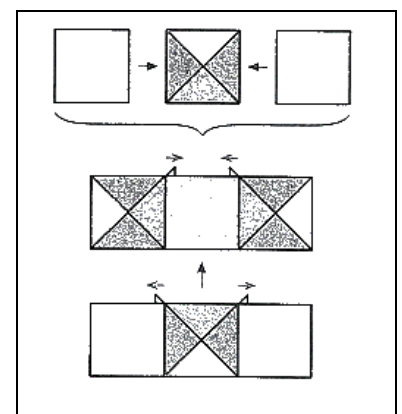


to

2. Arrange the side-by-side units and stitch together to make 4 squares, each $4\frac{1}{2}'' \times 4\frac{1}{2}''$. Press in either direction.



3. Referring to block plan, arrange the squares completed in step 2 with squares D. Sew the squares together into 3 rows 3 squares each. Press. Sew the rows together. Press.



of